

Brooklyn



Karaoke Machine

BRK10F

INSTRUCTION MANUAL

Please read this manual carefully before using, and keep it for future reference.

CONTENTS

GENERAL SAFETY	4
GENERAL WARNINGS	5
IMPORTANT NOTES	5
PACKAGE CONTENTS	7
PRODUCT OVERVIEW	8
BATTERY CHARGE	9
OPERATING INSTRUCTIONS	10
TROUBLESHOOTING	13
CARE AND MAINTENANCE	14
TECHNICAL SPECIFICATIONS	15
SUPPORT	LAST PAGE

GENERAL SAFETY

IMPORTANT INFORMATION

Read this manual thoroughly before you start using the product.

The safety precautions instructions reduces the risk of fire, and injury when correctly complied to.

Please follow all instructions and take notice of all warnings.

This appliance is not intended for use by persons (including children) with reduced physical, sensory or mental capabilities, or lack of experience and knowledge, unless they have been given supervision or instruction concerning use of the appliance by a person responsible for their safety. Children should be supervised to ensure that they do not play with the appliance.

GENERAL WARNINGS

IMPORTANT INFORMATION

CAUTION: DO NOT DISASSEMBLE THE APPLIANCE. THERE ARE NO USER SERVICEABLE PARTS. FOR REPAIRS CONTACT QUALIFIED TECHNICAL STAFF. To avoid the danger of electric shock or fire, do not expose to rain or moisture.

IMPORTANT NOTES

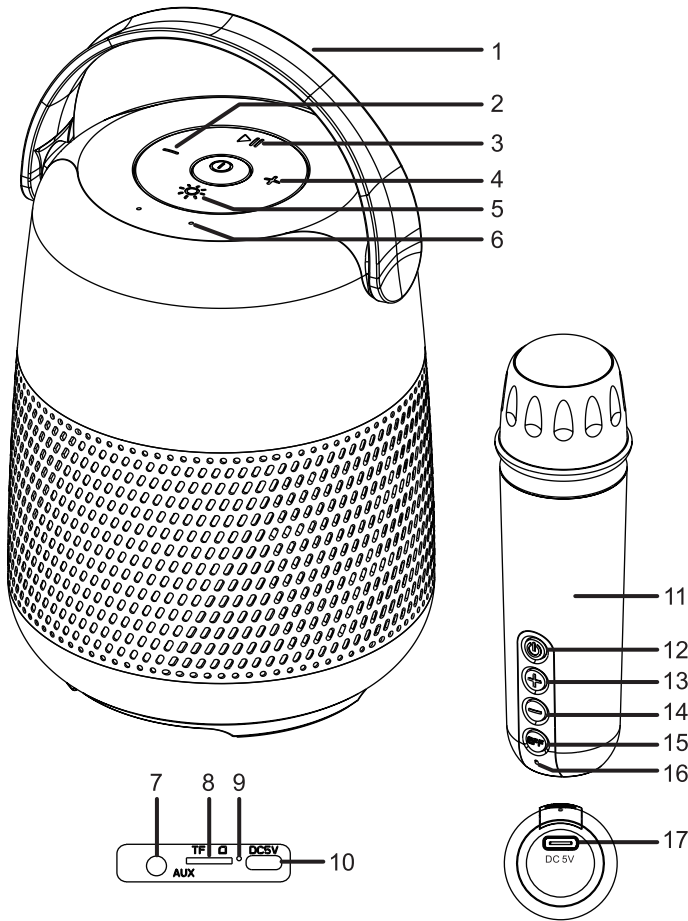
- The use must be allowed only to adults and responsible persons, adequately educated on the damages deriving from incorrect use.
- Keep away from pets.
- Do not use the appliance outdoors, as rain could create short circuits. Do not touch the appliance with wet hands.

- The max. operation temperature is 45°C
- **AVOID INSTALLING THE UNIT IN THE LOCATIONS LISTED BELOW:**
 - Places exposed to direct sunlight or close to equipment that generate heat, such as radiators;
 - Above other appliances that can radiate excessive heat;
 - Places that block ventilation or are humid or dusty;
 - Environments subject to constant vibration;
- Do not place accessories with naked flames, such as lighted candles, on the appliance.
- Do not try to repair or intervene on the appliance yourself. Incorrect interventions or tampering can void the guarantee. In the event of any damaged parts or suspected malfunction, discontinue use immediately and consult qualified personnel. Never dip the appliance in water or other liquids. Do not place bowls containing liquids (such as vases) on top of the appliance.
- Do not touch the appliance with wet hands and do not place it near sinks, tubs or bowls of liquids. Use the product only if in perfect condition. If the appliance has been dipped in water or is damaged, contact qualified personnel.
- The product should not be used if it has been dropped or if there are any visible signs of damage.
- Exposure to high volume levels can cause hearing problems, including permanent damage. The tendency to hearing loss varies from person to person, however constant exposure to high volume levels is harmful to anyone. Moderate the volume level.
- Do not turn on and use the device while charging.

PACKAGE CONTENTS

1	Bluetooth Karaoke Machine	1 piece
2	Microphone	1 piece
3	USB-C charging cable	1 piece
4	3.5mm AUX cable	1 piece
5	Instruction manual	1 piece
6	Warranty Card	1 piece

PRODUCT OVERVIEW



1. Bluetooth Karaoke Machine
2. Previous track / Volume- button
3. Play/Pause
4. Next track/Volume+ button
5. RGB LED Lights control button
6. LED indicator
7. AUX input
8. MicroSD input

9. Charging indicator
10. USB-C input for Charging
11. Microphone
12. Power button
13. Microphone Volume+ button
14. Microphone Volume- button
15. Magic sound
16. LED indicator
17. Microphone USB-C input for Charging

BATTERY CHARGE

BRK10P has a built-in rechargeable battery which can be recharged using the supplied cable and a DC 5V 1A power adapter (not supplied). Before use, it is recommended to fully charge the battery.

During the charging phase, the red LED will be on (**BRK10P** will be fully charged in about 4.5 hours).

The indicator will turn off when the appliance is fully charged.

Note:

- Low battery warning: when the speaker is low it will periodically start emitting a warning sound, recharge the unit to resume playback.
- The battery life (it lasts about 5 hours with listening at 70% volume) may vary depending on the listening volume, the type of song being played, the paired external device and whether or not the LED lights and TWS function are used.
- Charging times may vary depending on the charge status of the unit and on features of the used power charger.

OPERATING INSTRUCTIONS

POWER ON/OFF

- Long press the Powerkey to turn on the unit, then you can hear the short prompt voice and pairing LED is blinking in blue color.
- When you long press the Powerkey again, the unit will be power off and hear short prompt voice.

CHOICE OF LED LIGHTS EFFECT

After turning on the unit, press and hold the LED Lights key to turn on/off the LED lights. By briefly pressing the LED lights key, you can change the light effect.

PLAY/PAUSE/CHANGING SOURCE

During music playback, briefly press the Play/Pause button to pause the playback. To resume playback, press the Play/Pause button again. Long press Play/Pause button to change Bluetooth/microSD /AUX mode.

BLUETOOTH FUNCTION

The device supports music playback via Bluetooth connection to a smartphone or other compatible Bluetooth device.

NOTE : It can not be guaranteed the compatibility with all Bluetooth devices on the market

BLUETOOTH CONNECTION:

- Turn on the speaker and activate the Bluetooth function on the external device.
- Search for the name “ BROOKLYN BRK10P“ from your external device and select it to pair with Bluetooth (enter “0000” if required).
- An audio signal will confirm the pairing.
- Note: Once the devices have been successfully paired, the Bluetooth pairing will no longer be required and the devices will connect automatically.

TWS FUNCTION (TRUE WIRELESS STEREO), for playing songs in Bluetooth mode only.

If you have two BRK10P speakers it is possible to activate the TWS function that allows you to pair two speakers together and obtain Stereo audio playback (the speakers will play the same BT audio at the same time).

Note: in order to use the TWS function, the two speakers must have a maximum distance of about 3 meters from each other in open spaces.

- Note: Once the devices have been successfully paired, the Bluetooth pairing will no longer be required and the devices will connect automatically.

TWS FUNCTION ACTIVATION (HOW TO PAIR TWO BRK10P SPEAKERS WITH EACH OTHER):

- Make sure the speakers are not paired with any external Bluetooth devices.
- Turn on the two Bluetooth speakers at the same time .
- Twice press” Power” button to initiate TWS pairing.
- When the second speaker emits a sound, the pairing is successful and the TWS function is active.
- Activate Bluetooth on the external device, search for the name “ BROOKLYN BRK10P ” and choose it to make the Bluetooth pairing.
- After pairing, the speakers will automatically pair with each other if switched on at the same time.

MICRO SD FUNCTION

Insert a card microSD (containing tracks in MP3 format) into the appropriate input after turning on the speaker. Playback will start automatically. Press the “ Next Track ” or “ Previous Track ” button to go to the next / previous track.

Long press the “ Volume + ” or “ Volume- ” key to adjust the volume. To change source (choosing between Bluetooth / microSD / USB / AUX) long press the Play/Pause button

AUX FUNCTION

To play audio via AUX-IN connect one end of the dedicated cable to the AUX input on the speaker and the other to the external device. Select the right source by long pressing the Play/Pause button then start playback directly from the external device.

NOTE: in AUX mode it is not possible to go to the previous / next track with the “ Next track + ” and “ Previous track- ” keys, but it is necessary to carry out the operation directly from the connected external device.

TROUBLESHOOTING

PROBLEM	REMEDY
Power light is not lit	Long press the Power key to turn on the appliance.
	The battery is low, leave the device to charge for a few hours.
Cannot pair	Check that the speaker is turned on and is not already paired with another device.
	If there are too many Bluetooth devices turned on nearby, turn them off to avoid any interference and try to perform Bluetooth pairing again.
Sound is weak or distorted	Check the volume of the speaker and that of the external device and adjust it to a suitable level.
	Make sure the speaker is charged.
Cannot play properly.	Check that the distance between the speaker and the Bluetooth device is not out of the operating distance (10 meters max).
The music is discontinuous	Remove any obstacles between the speaker and the Bluetooth device.
	Move the speaker or Bluetooth device to get the best reception.
	Check battery charge status.

CARE AND MAINTENANCE

- Keep the unit away from magnetic objects, water and heat sources.
- Use a clean soft damp cloth to clean the cabinet. Never use chemical cleaners that could damage the finish of the unit.

CAUTION: NEVER ALLOW ANY WATER OR OTHER LIQUIDS TO GET INSIDE THE UNIT WHILE CLEANING.

TECHNICAL SPECIFICATIONS

Bluetooth version	V 5.1
Bluetooth distance	About 10m
Built-in battery	Rechargeable Lithium, 2000mAh for speaker; 1200mAh for microphone
Power supply	DC 5V - 1A (USB-C input)
MAX output power (RMS)	2 x 4W
Playing time	About 5 hours at 70% volume
microSD	Supported file systems: FAT32 Max capacity: 64GB.
Supported formats microSD	mp3
Karaoke machine size	11.3 (L) x 14.6 (H) x 11.3 (W) cm
Microphone size	3.6 (L) x 12.5 (H) x 3.6 (W) cm
Machine Weight	850g

Brooklyn

SUPPORT: info@ayonz.com

DISTRIBUTOR: Ayonz Pty Ltd